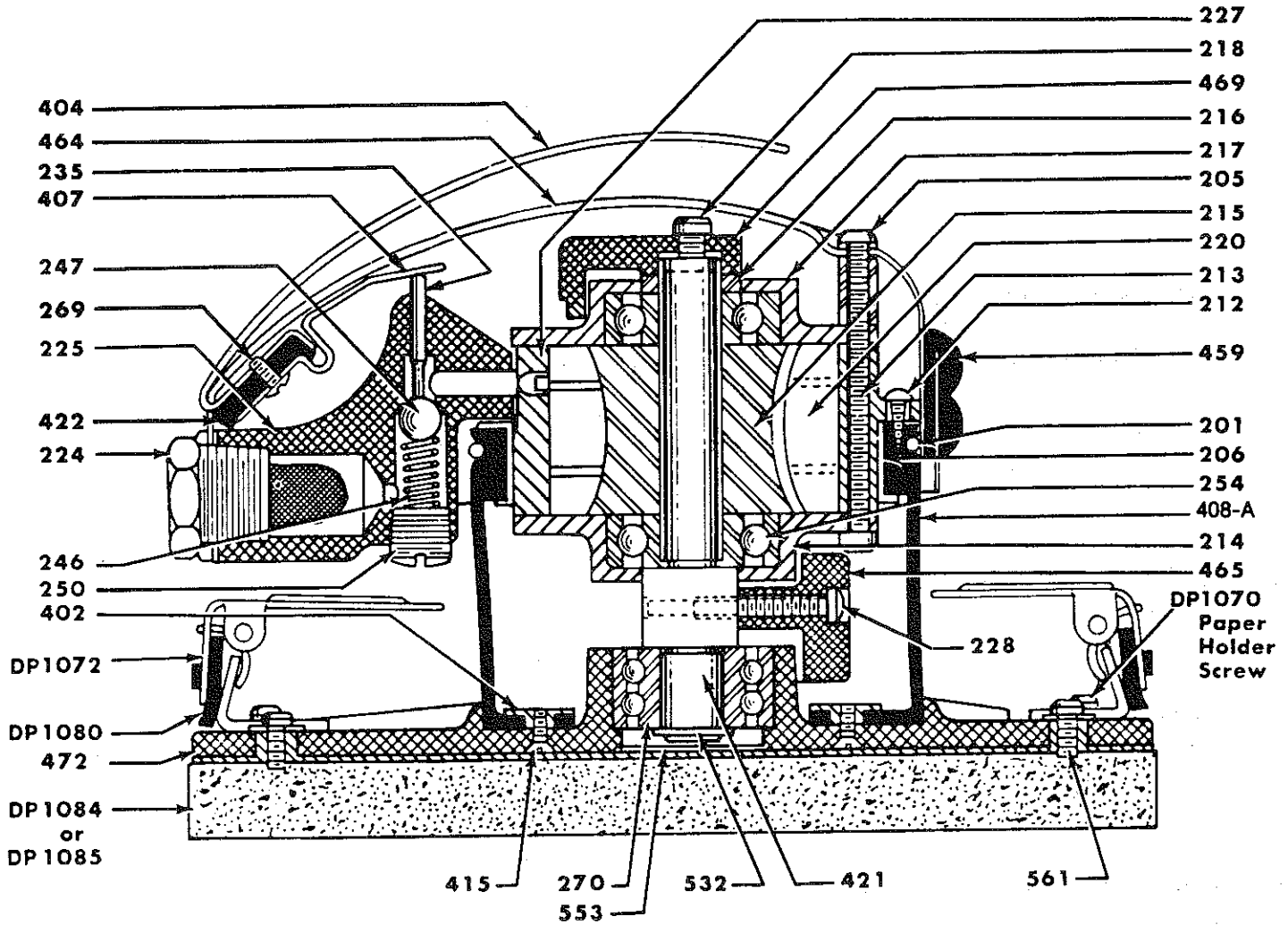




National Detroit, Inc.

P.O. Box 2285 ■ Rockford, IL 61131
(815) 877-4041 ■ Fax (815) 877-4050

Shipping Address:
1590 Northrock Court
Rockford, IL 61103



Part No.	Description
201	Housing Retainer Clamp
205	Top Cover Screw incl. Washer - 3
206	Housing Retainer
212	Housing Screw
213	Motor Screw incl. Spacer & Washer - 3
214	Lower Motor Bearing Plate Ass'y. (inc's. brg.)
215	Motor Rotor
216	Motor Spacer
217	Upper Motor Bearing Plate Ass'y. (inc's. brg.)
218	Upper counterweight Screw (1/2" long)
220	Rotor Blade - 4
224	Motor Screen Plug
225	Valve Assembly
227	Motor Cylinder
228	Lower Counterweight Screw (1" long)
229	Dowel Pin - 4
235	Valve Stem 13/16"
246	Valve Spring
247	Valve Screw
248	Valve Screw - 2 (not shown) (3/4" long)
250	Valve Plug
254	Ball Bearing - 2
256	Cover Sheet Metal Screw - 4 (not shown)
257	Shim (sizes available .001 thru .006, .010 and .015)

Part No.	Description
260	Short Motor Screw with Nut (not shown)
269	Screw
270	Crank Bearing (Double Row)
402	Housing Retainer Plate incl. Screws
404	Trigger Assembly with 407
407	Auxiliary Trigger
408-A	Rubber Hsg. Assembled to 201 & 206
415	Housing Retainer Plate Screw - 6
421	Crankshaft
422	Trigger Bumper
459	Cover Hand Grip Assembly
464	Cover Assembly Complete
465	Lower Counterweight
469	Upper Counterweight
472	Pad Shoe
532	Lower Crank Screw w/Washer
553	Pad Shoe Welsh Plug
561	Pad Plate Screw - 4 (3/8" long)
DP1070	Paper Holder Screw - 4 (3/16" long)
DP1072	Paper Holder, Complete - 2
DP 1077	Sanding Pad, Hook and Loop
DP1080	Paper Holder Bumper - 2
DP1084	Sanding Pad, Neoprene Sponge
DP1085	Sanding Pad, Felt

NATIONAL DETROIT

OPERATING INSTRUCTIONS

FOR MITY MIDGET SANDERS - MODEL 100, 150, 200, AND 400

OPERATING INSTRUCTIONS

1. *(Drain filter and blow out air line before connecting hose to sander.)* Use only Regulated Air Line with a good Line Filter on each outlet; open Pet Cock every morning to drain accumulated water. Keep Intake Filter CLEAN or plastic and paint dust is sucked into air lines. Drain Water and sludge from Compressor Storage Tank every day.
2. Set the regulator at 60-90 lbs. The pressure required depends on the length, size, and condition of the air line. To operate at 5000 R.P.M. the sander requires 50 lbs. of pressure at the machine. It may be necessary to adjust air pressure to match operating conditions.
3. Sometimes a new machine will fail to start when the operating valve is depressed. Should this happen, hold the machine in one hand with the operating valve pressed down. Then grasp the sanding pad with the other hand and pull back toward the rear of the machine.

LUBRICATION

There is no metal-to-metal contact between any moving parts in this sander. However, several drops of light oil (sewing machine) administered daily through the air intake will eliminate the possibility of rust formation in the cylinder. See instruction 1. When the machine is operated in conjunction with a line oiler, the oiler should be adjusted to admit not more than one drop every five minutes. CAUTION: Excessive oil flow will cause an oil-film deposit on the work.

CAUTION: READ AND OBSERVE THE ENCLOSED WARNINGS AND SAFETY RULES FOR SAFE OPERATION.